

Part number

MKAG V20



Brief description:

hoods for single lever, size "21.21", top entry, M20, metal version, IP65

Product description

Version	Metallic type
Series	Hoods with 2 pegs
Product type	with 2 pegs and gasket
Variant	top entry
Family	CKA metal enclosures
Size	size "21.21"


Technical data

Operating temperature range (min, max)	-40°C ... +125°C
Material	metal
IP degree of protection	IP65
Cable entry	M20

Further technical details

Weight	64,00 g
--------	---------

Approvals / Standards

Quality mark	type: 12, (type 4/4X only with kit CKR 65 or CKR 65 D),  , EAC
Conformity	CQC, CE

General ordering information

EAN13 code	8015747125253
Tariff number	85369095

Packaging Information

Packaging length	370,00 mm
Packaging height	135,00 mm
Packaging width	225,00 mm
Packaging weight	6,40 kg
Packaging volume	11,24 dm ³
Packaging description	Carton box
Packaging quantity	100 Pcs
Packaging EAN code	8015747125376
Sub-packaging length	105,00 mm
Sub-packaging height	70,00 mm
Sub-packaging width	110,00 mm
Sub-packaging weight	0,64 kg
Sub-packaging volume	0,81 dm ³
Sub-packaging description	Carton Box
Sub-packaging quantity	10 Pcs
Sub-packaging EAN barcode	8015747125321

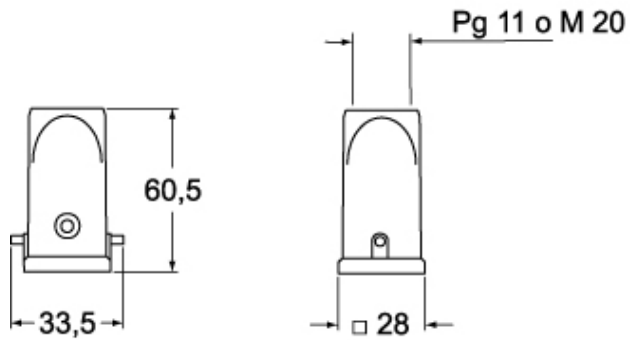
Part number

MKAG V20



Catalogue drawings

CKAG V MKAG V



CKAG VA MKAG VA

